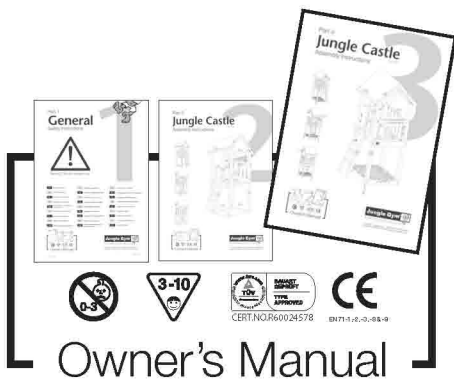
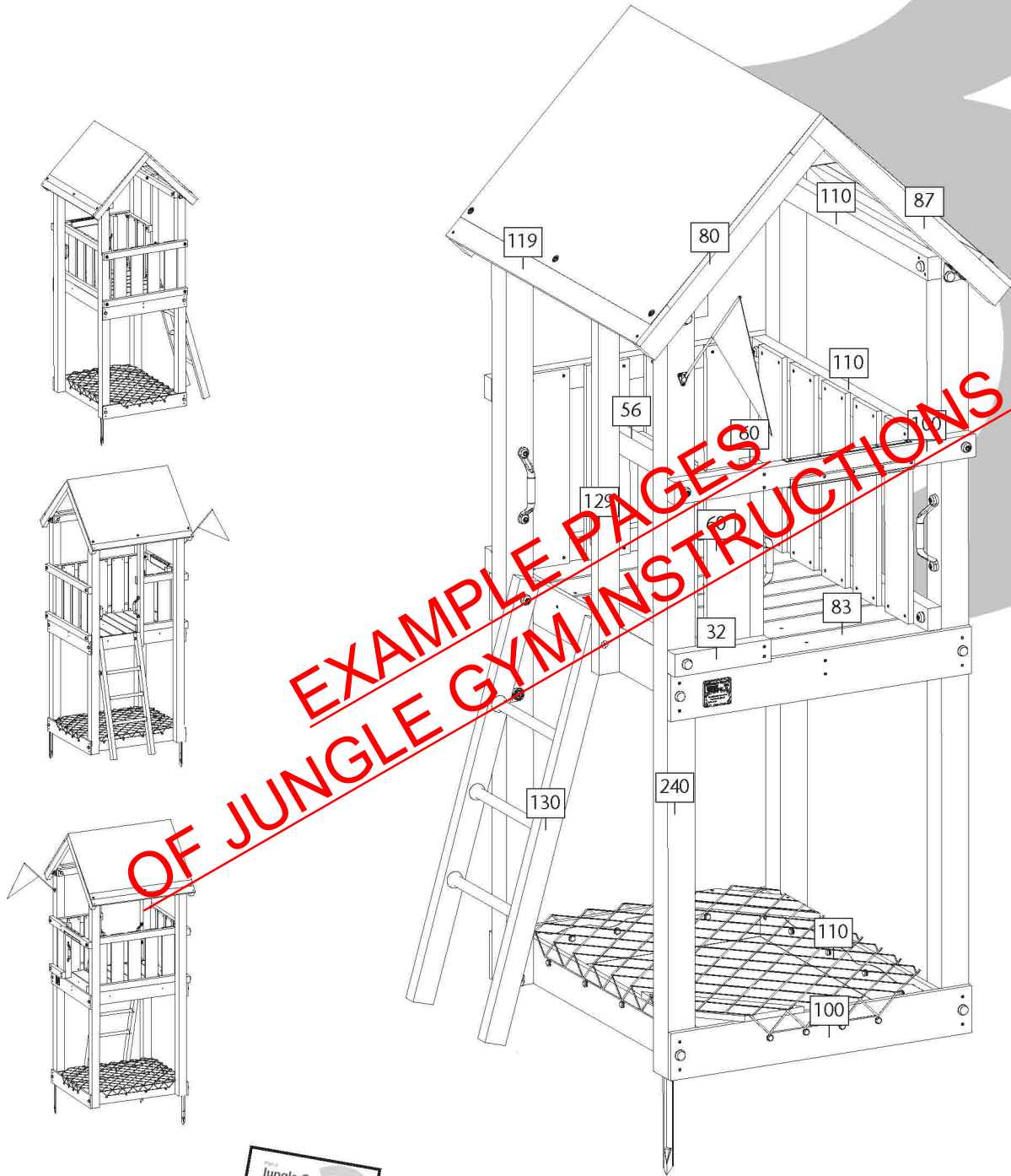


EXAMPLE

Assembly Instructions

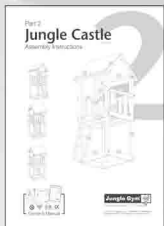


™ & © 2011 Jungle Gym B.V. Amsterdam, The Netherlands.
Copyrighted material. Do not reproduce under penalty of law.

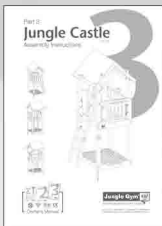
1 x
040_805



1 x
040_745



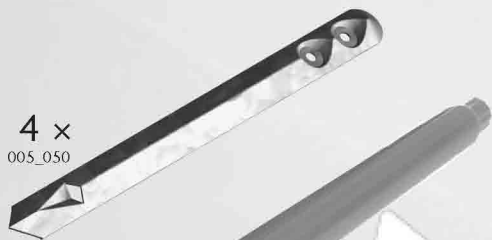
1 x
040_045



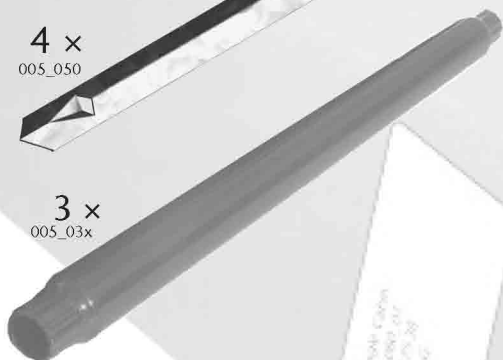
1 x
100_045



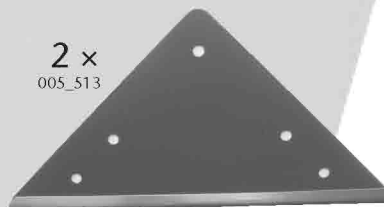
4 x
005_050



3 x
005_03x



2 x
005_513



1 x
104_107



6 x
022_835



33 x
022_83

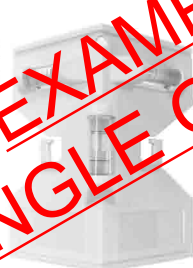
4 x
022_320



1 x
021_107



1 x
022_913



1 x
005_514

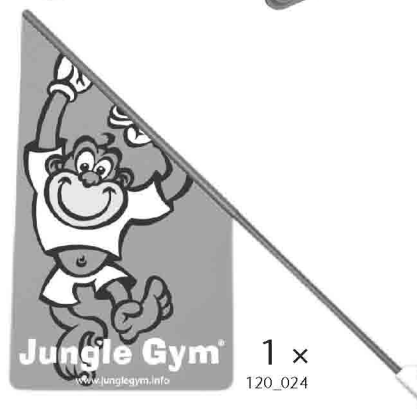


**EXAMPLE PAGES
OF JUNGLE GYM INSTRUCTIONS**

1 x
021_301

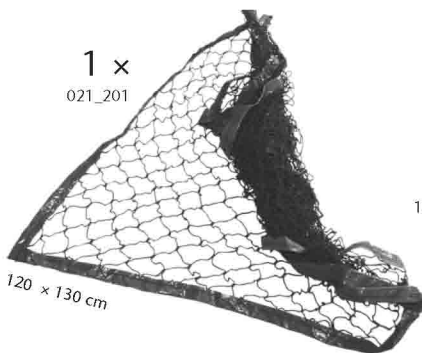


4 x
005_510



1 x
120_024

1 x
021_201



1 x
123_125



32 x
022_836



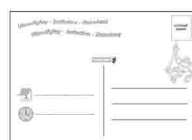
1 x
022_392



1 x
022_910



1 x
053_001



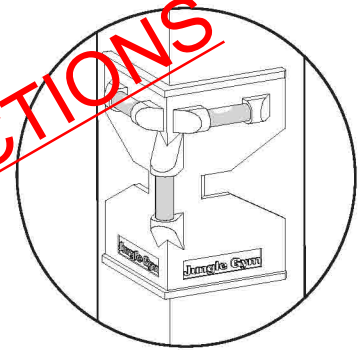
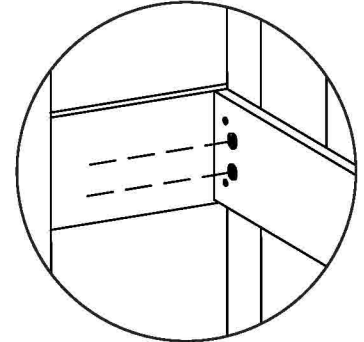
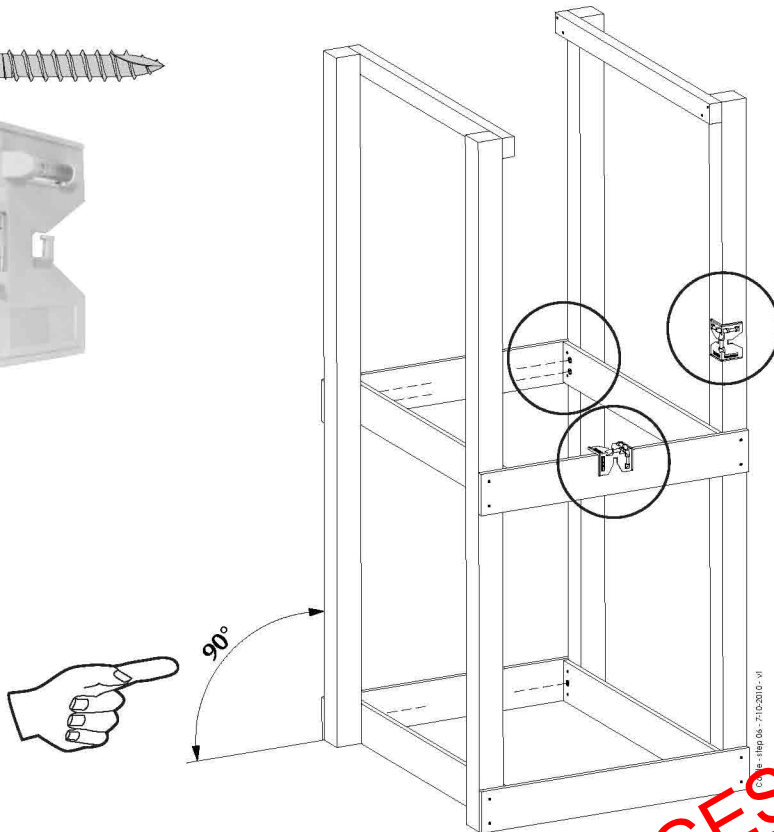
1 x
123_200



6

12 x 80 mm

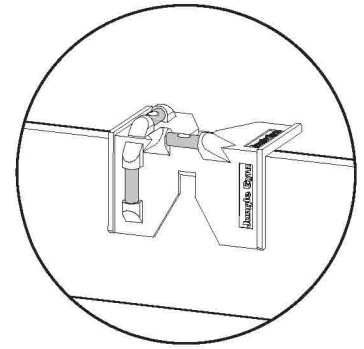
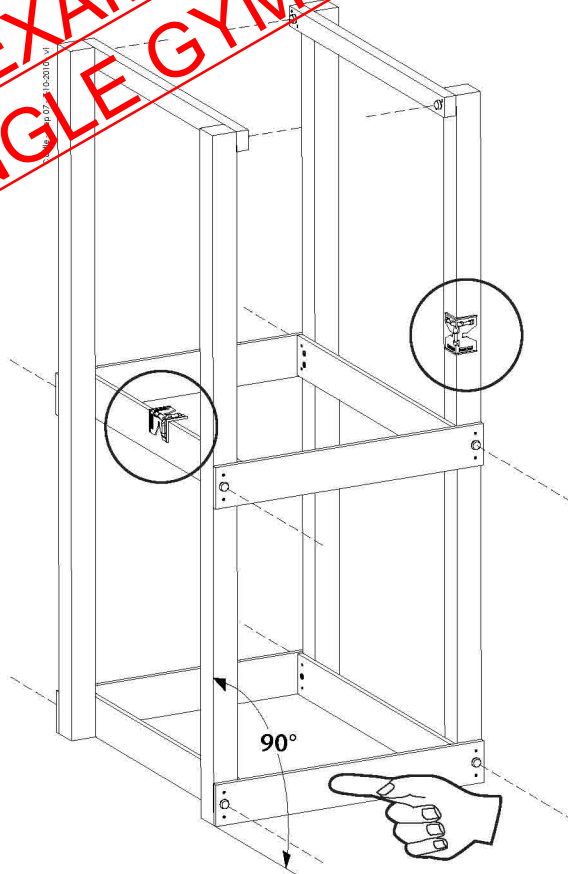
1 x 022_913



7

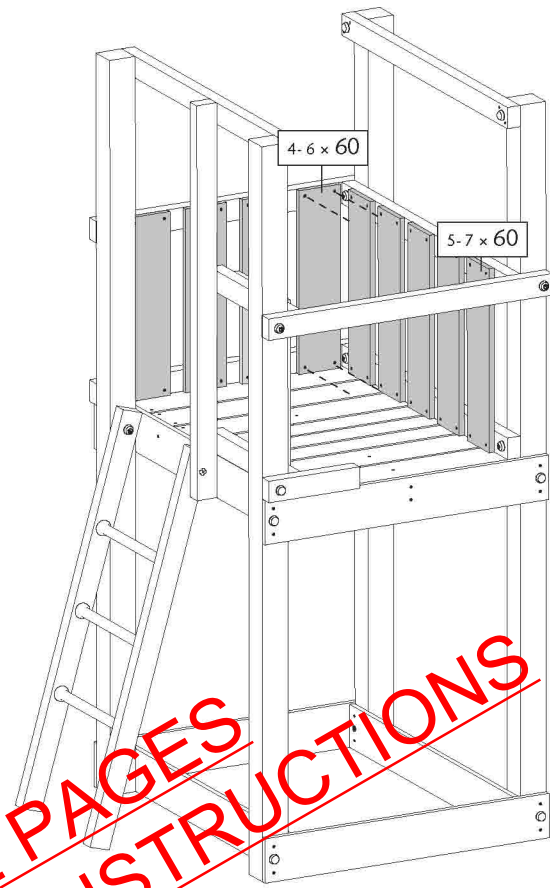
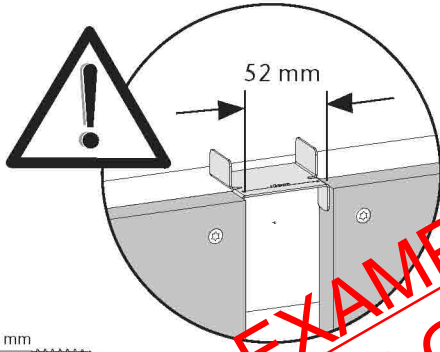
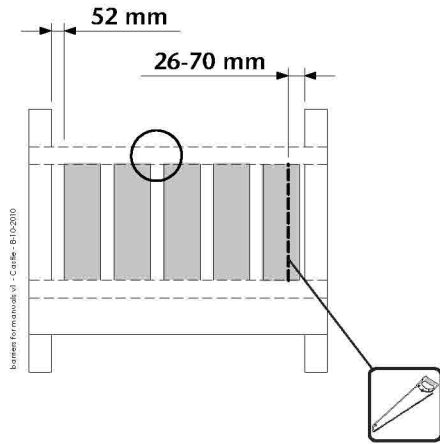
12 x 80 mm

EXAMPLE PAGES OF JUNGLE GYM INSTRUCTIONS

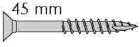


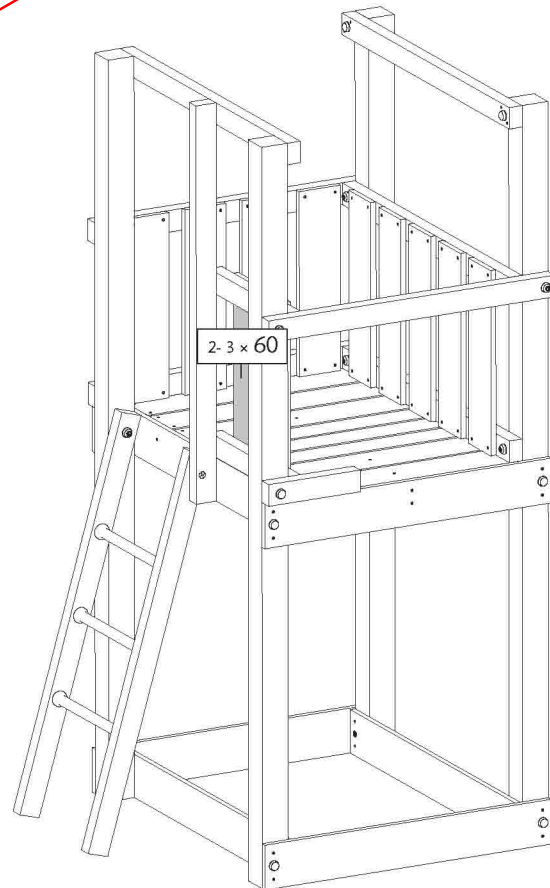
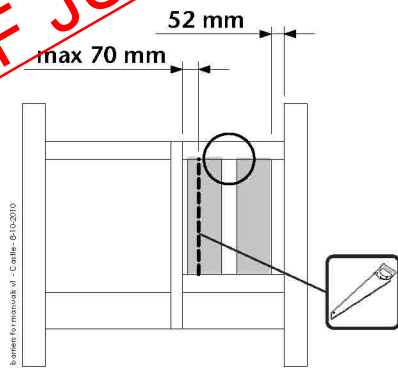
13a

36- 52 x 



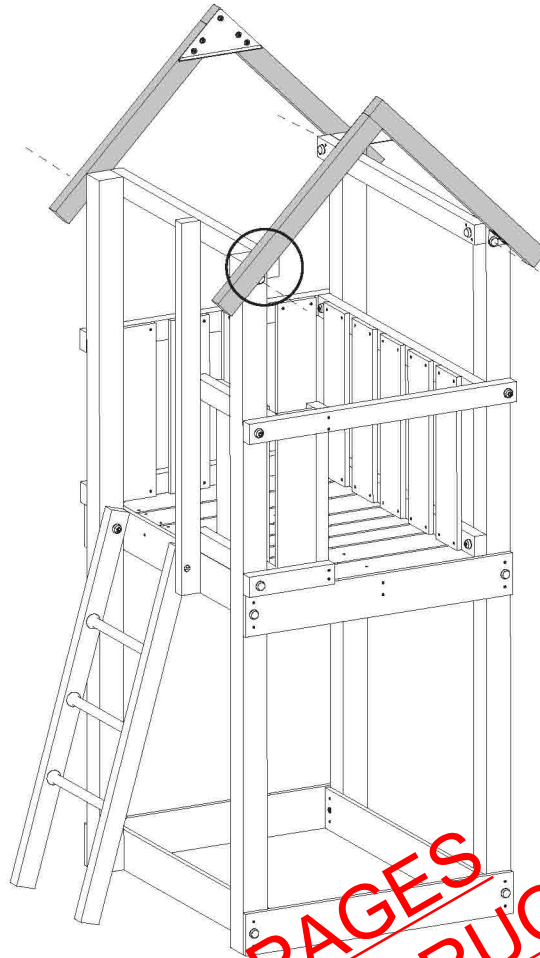
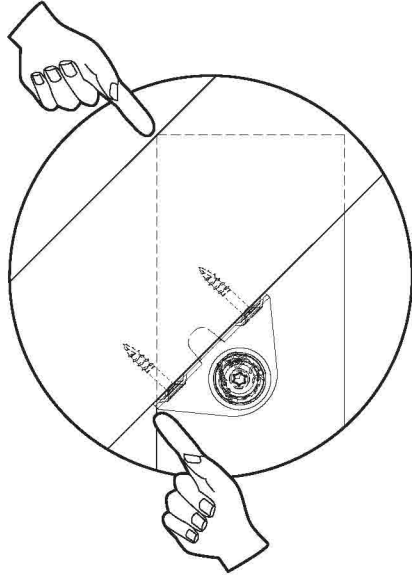
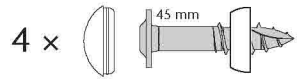
13b

8- 12 x 

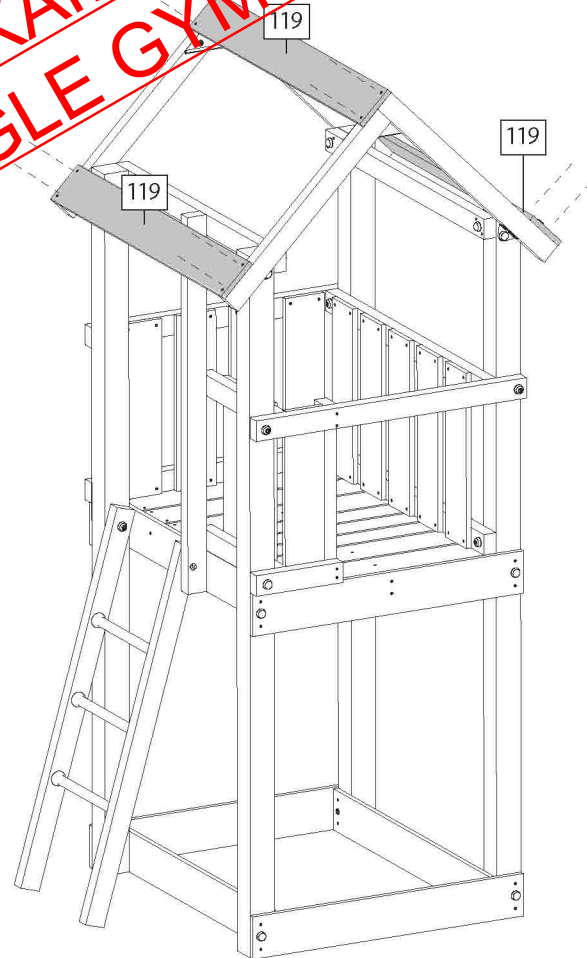
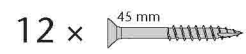


**EXAMPLE PAGES
OF JUNGLE GYM INSTRUCTIONS**

17

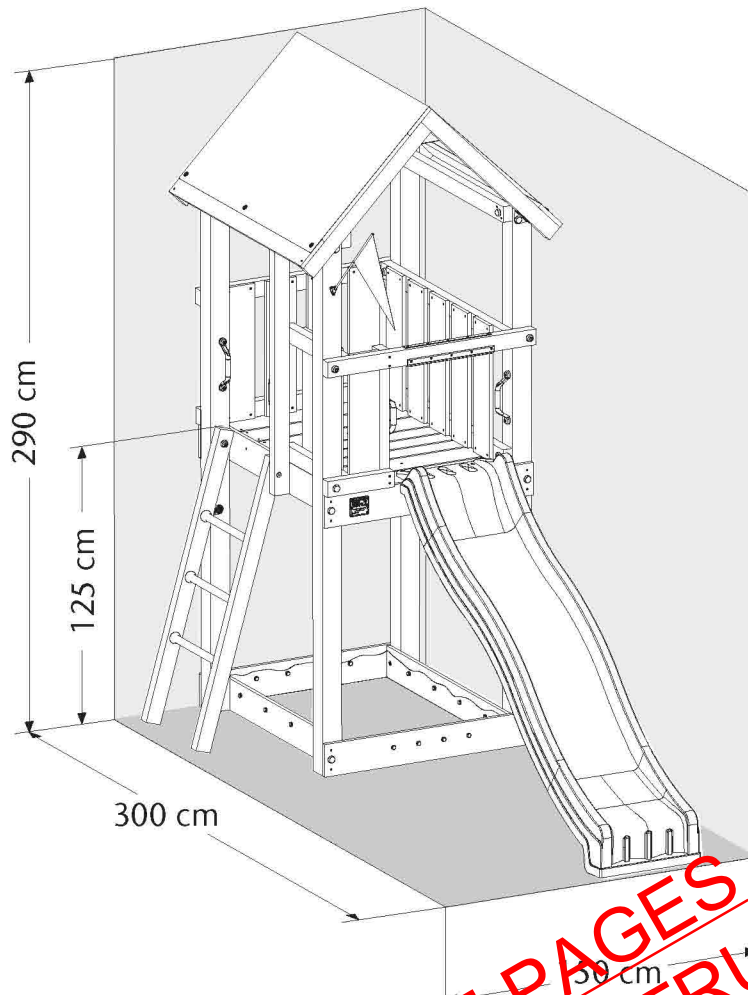


18a

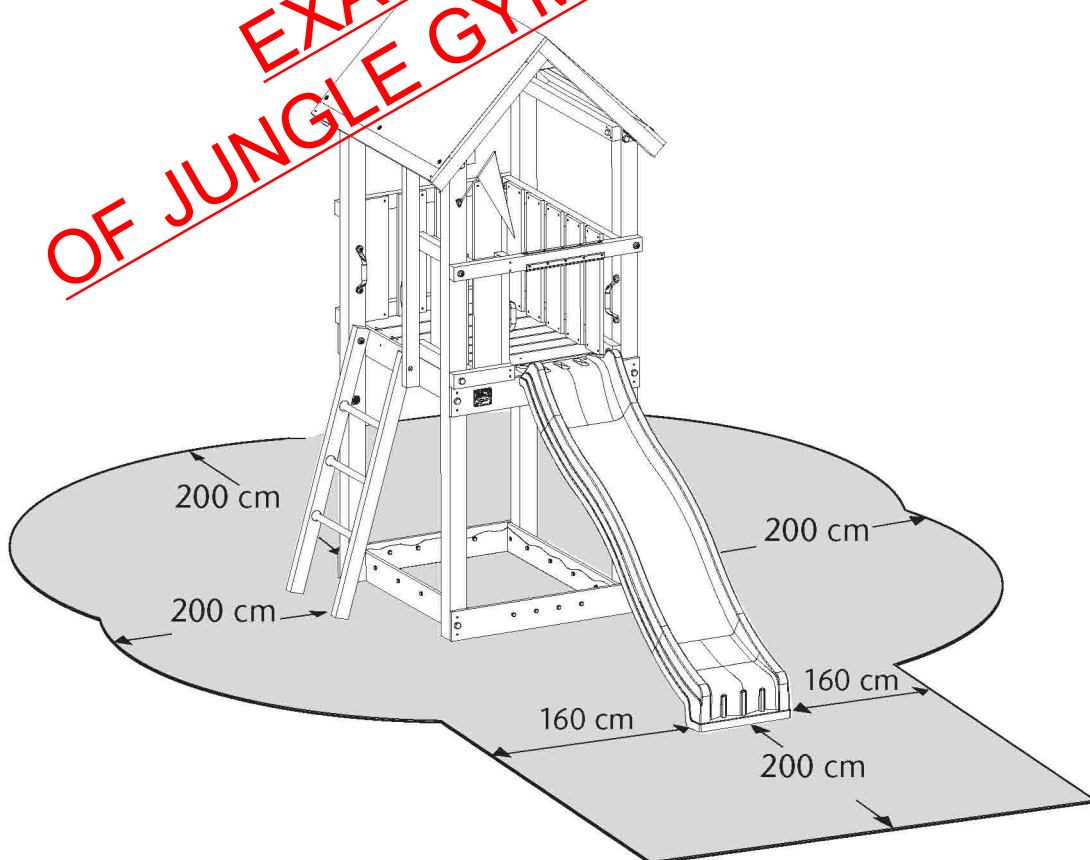


**EXAMPLE PAGES
OF JUNGLE GYM INSTRUCTIONS**

1a



1b

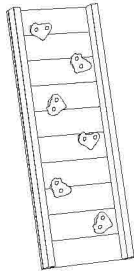


**EXAMPLE PAGES
OF JUNGLE GYM INSTRUCTIONS**

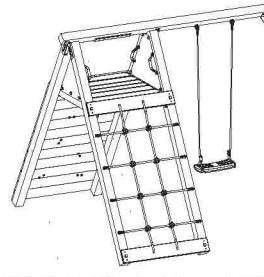
MODULES



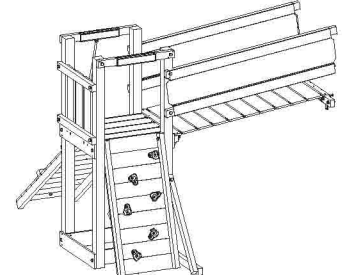
450_100 Swing Module™
450_175 Swing Module Xtra™



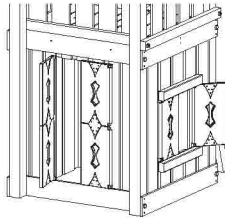
450_200 Rock Module™



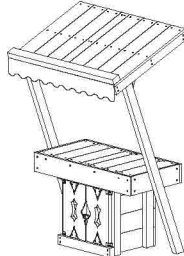
450_220 Climb Module™
450_230 Climb Module Xtra™



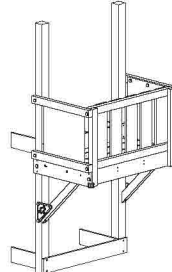
450_240 Bridge Module™



450_245 Play House Module™



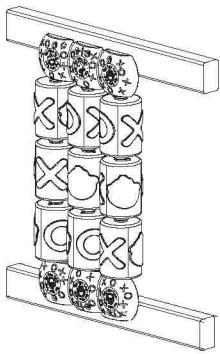
450_250 Mini Market Module™



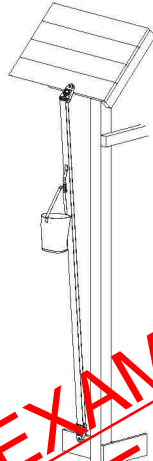
450_255 Balcony Module™



450_300 1 Step Module™



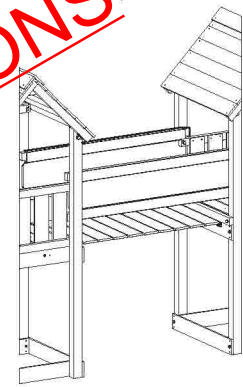
450_310 Tic Tac Module™



450_320 Bucket Module™



450_330 Talking Tube™



470_100 Bridge Link

LINKS

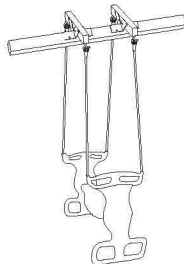
EXTRA ACCESSORIES



Sling Swing™
201_01x



Ring Trapeze
201_020



2 Seater X'tra
201_100



Monkey Bar™
201_025



Baby Swing
201_030



Twisk Disk™
201_040



Climbing Rope
201_060



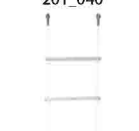
Swing Seat
201_07x



Swing Hook LS
201_110



Swing Hook BT
201_120



Rope Ladder
201_160



Chimp Ladder™
201_170



Bolt Caps™
201_200



Cat Stop™
201_220



Handgrips
201_250/260/270



Steering Wheel
201_280



Fun Phone™
201_285



StarOscope™
201_290



PeekOscope™
201_295



Ground Anchors
201_320



RopeLocks™
201_400



Swing Rope
201_5xx



EN 71-1, 2, 3, 8 & 9



CERT.NO.R60024578

™ & © 2011 Jungle Gym B.V., Amsterdam, The Netherlands. Copyrighted material. Do not reproduce under penalty of law.

Availability of Jungle Gym products may vary between distributors and countries. Subject to alterations and printing errors.

All rights reserved. Printed in China. Jungle Castle Art. 040_045_1311 Jungle Gym B.V. - P.O. Bo x 75083 - 1070 AB - Amsterdam - The Netherlands

201010201604